

<http://www.hettich.com/short/15a1d3>

i

- 4 x 3,5 x 25 mm
- 10 x 3,5 x 12 mm
- 8 x / 10 x 4 x 16 mm
- 8 x / 10 x 6,3 x 14 mm
- 1 x 3,5 x 30 mm

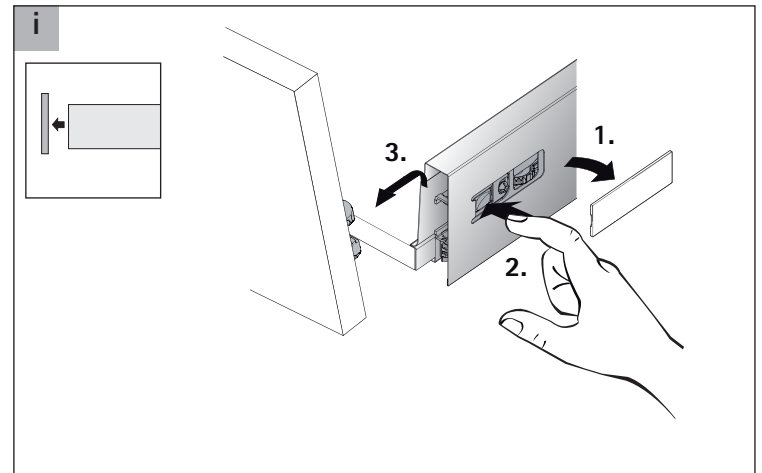
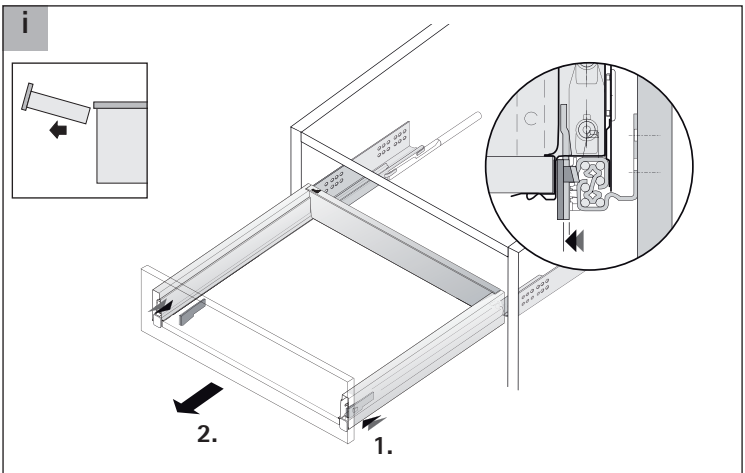
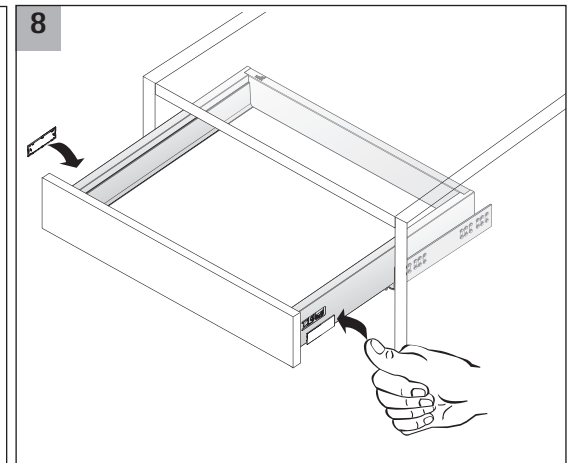
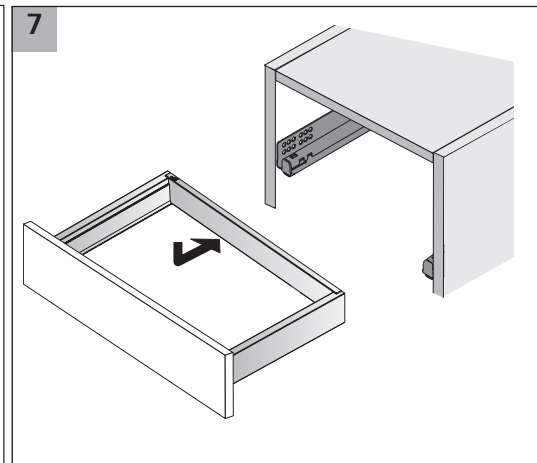
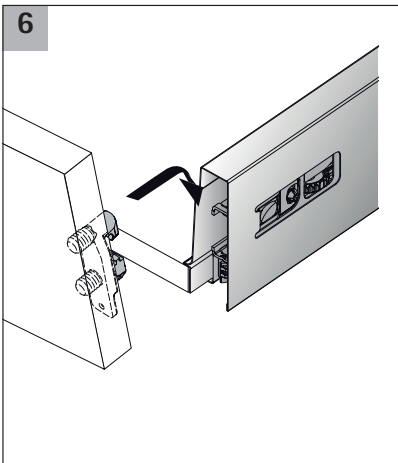
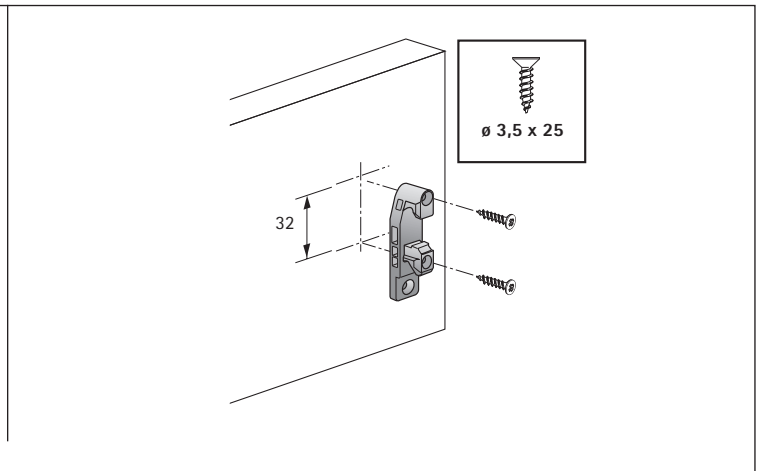
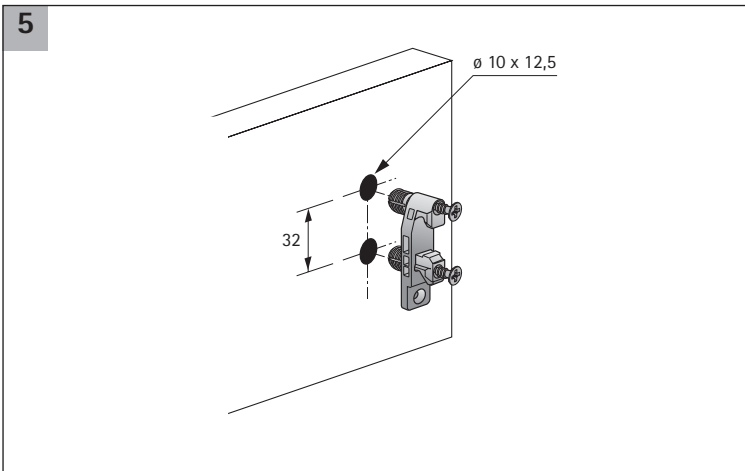
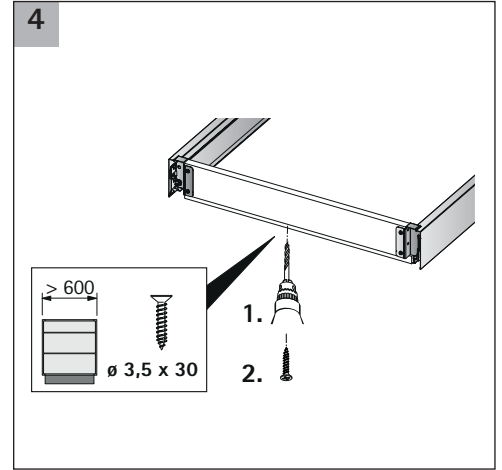
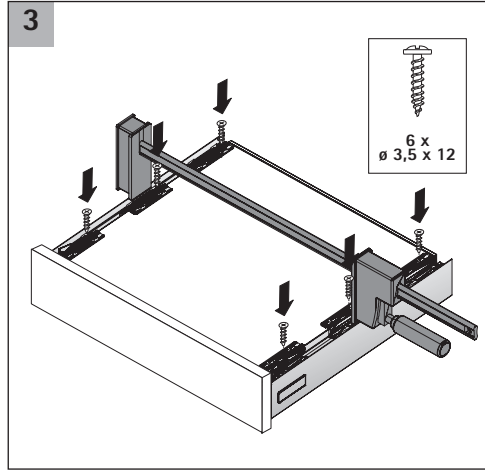
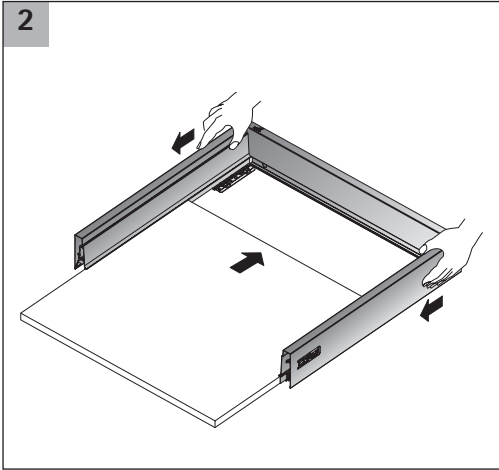
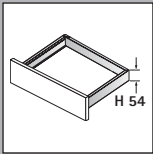
- 1x
- 1x
- 1x

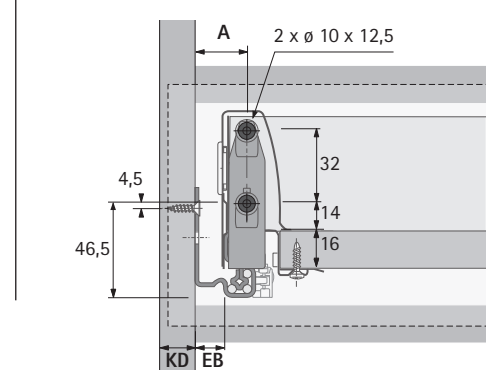
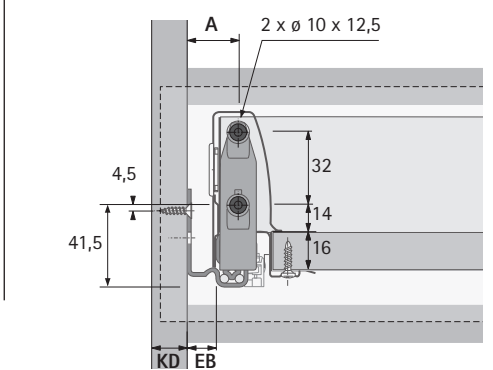
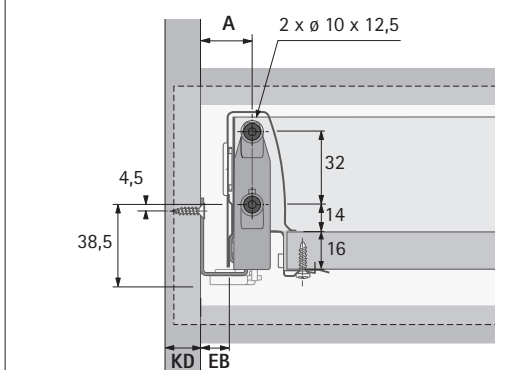
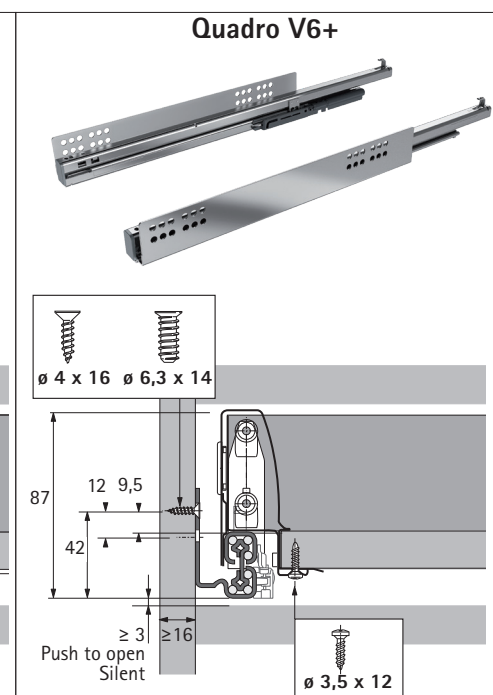
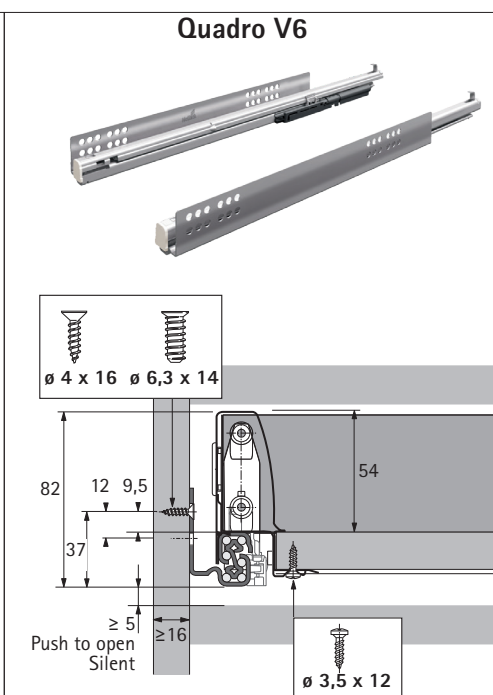
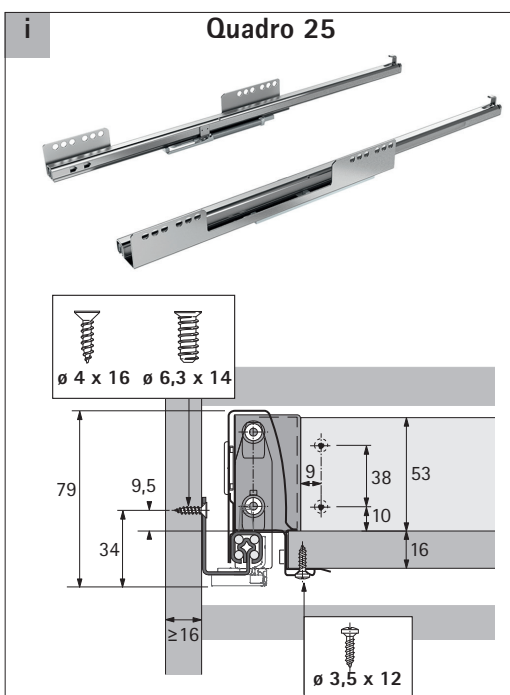
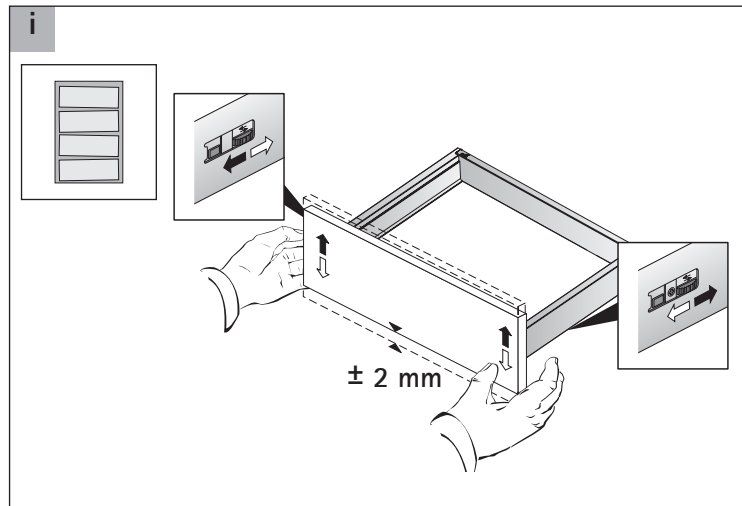
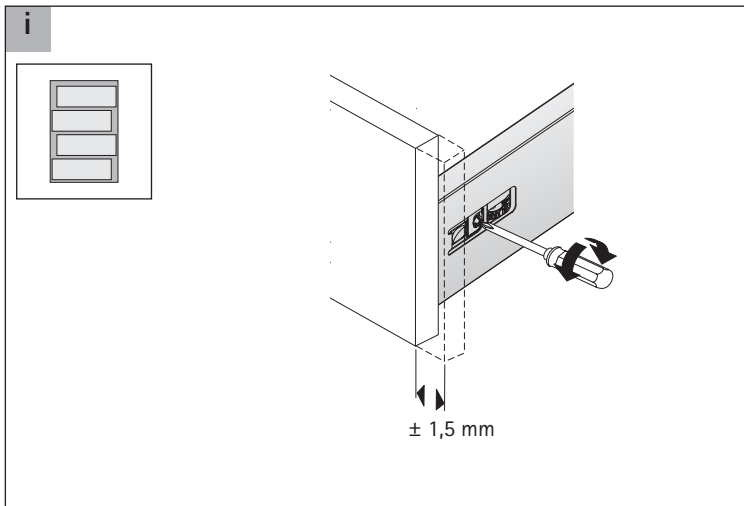
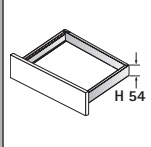
i

	Stahlrückwand/ Steel rear panel	Holzrückwand/ Wooden rear panel
A	NL - 3	NL + 10
B	LB - 2 x EB - 51,5	LB - 2 x EB - 51,5
C	-	LB - 2 x EB - 63
D	-	53

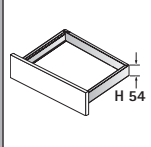
1

Ø 3,5 x 12



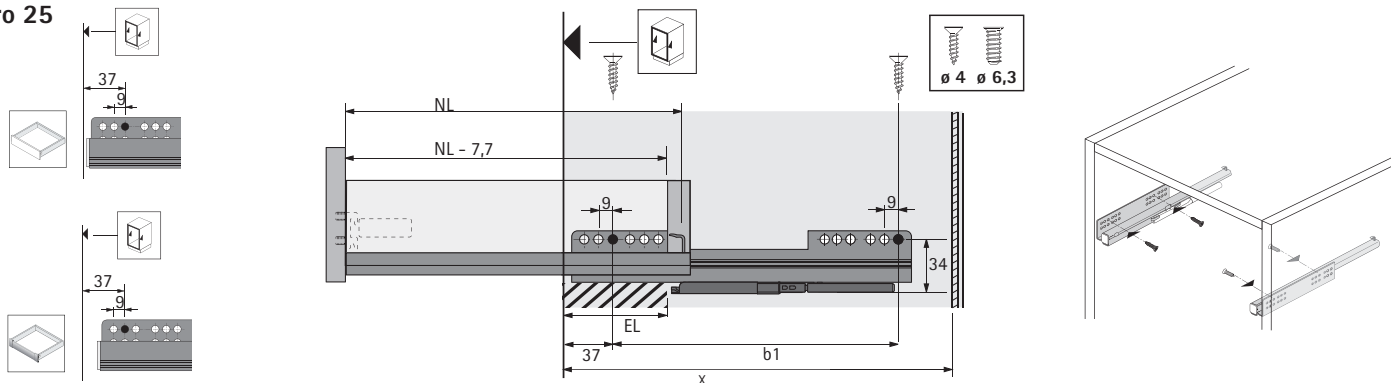


KD mm	16	18	19
EB mm	12,5	10,5	9,5
A mm	23	21	20



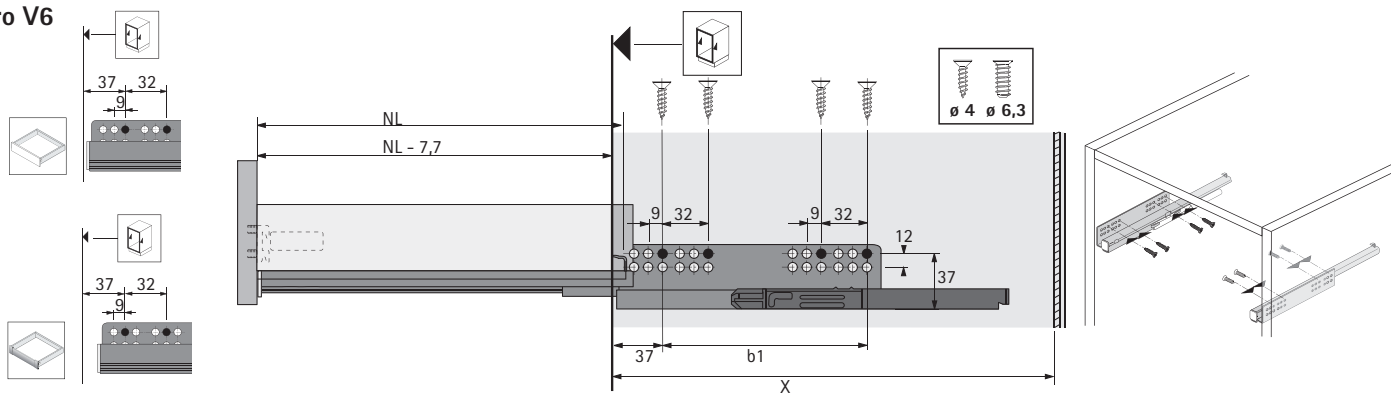
i

Quadro 25



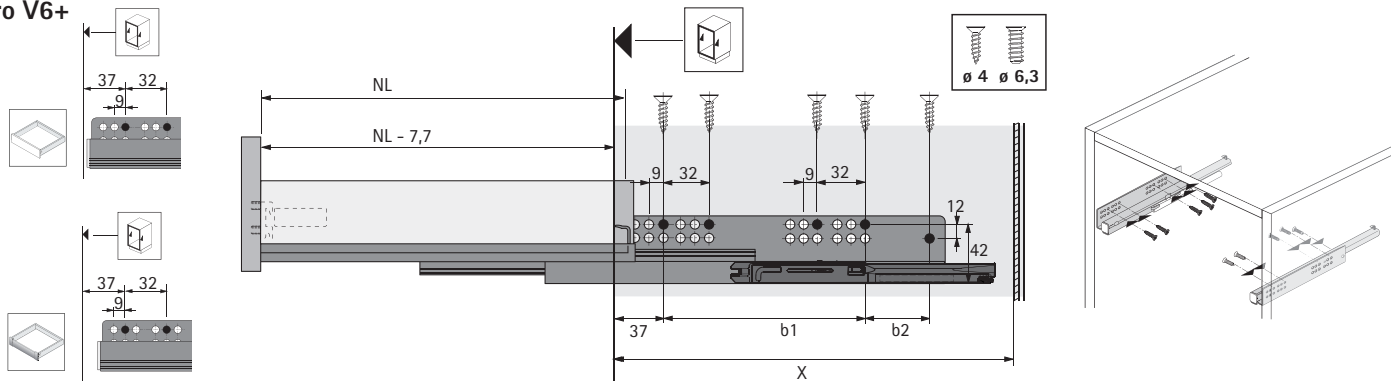
NL mm	b1 mm	EL mm	X mm	X mm
470	256	94	485	494

Quadro V6



NL mm	b1 mm	X mm	X mm
470	256	485	494

Quadro V6+



NL mm	b1 mm	b2 mm	X mm	X mm
470	256	-	485	494