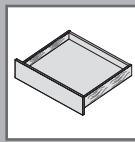


# Quadro für Holzschubkästen

## Quadro for wooden drawer

### Push to open Synchro/Multisynchronisation



Technik für Möbel



**i**

**1**

**2**

**3**

Quadro V6  
 Quadro V6+  
 Quadro 4D V6  
 Quadro YOU

Quadro 25

**1a**

L					
EB 20		EB 21		EB 23	
Quadro 25	Quadro V6 Quadro V6+	Quadro 4D V6	Quadro YOU	Quadro 25	Quadro V6
LB - 89	LB - 89	LB - 93	LB - 91	LB - 95	LB - 95

**1**

**2**

**1b**

L	
$X + Y + 2$	

**2**

**3**

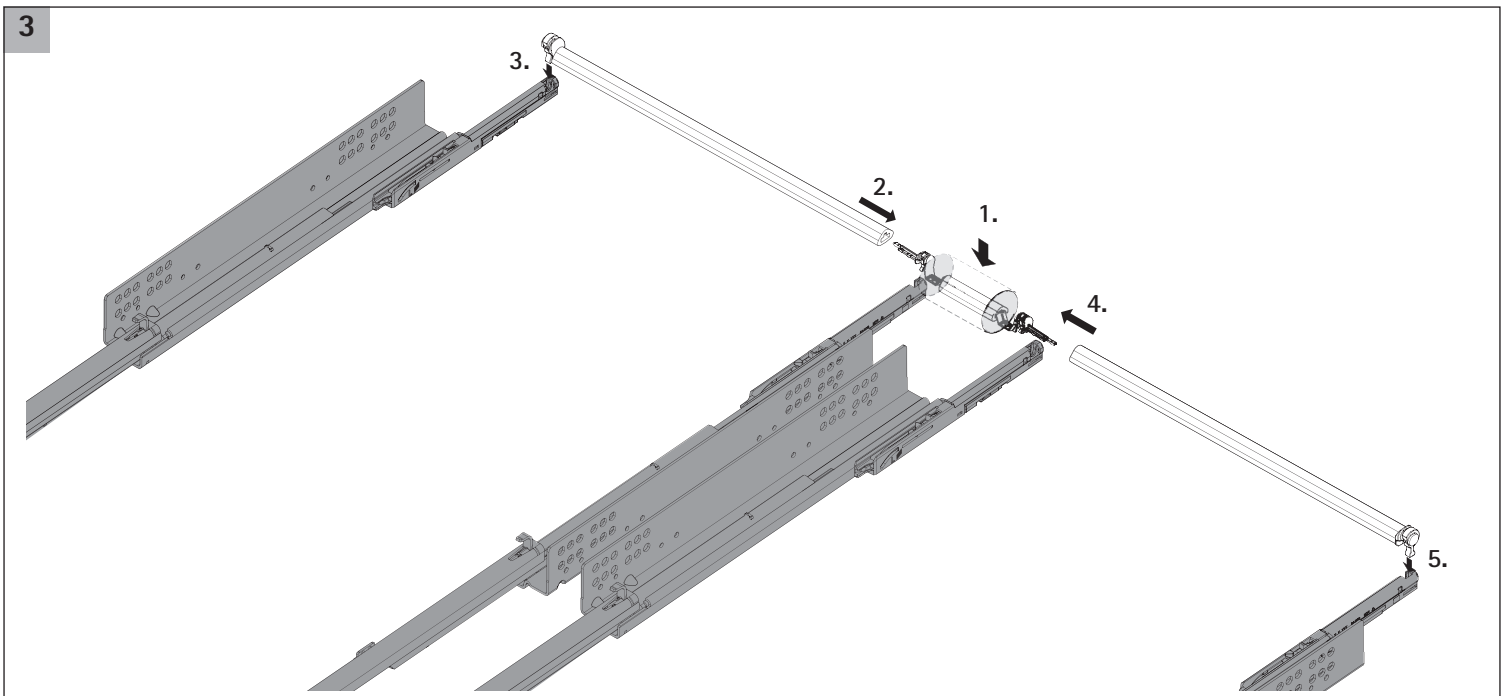
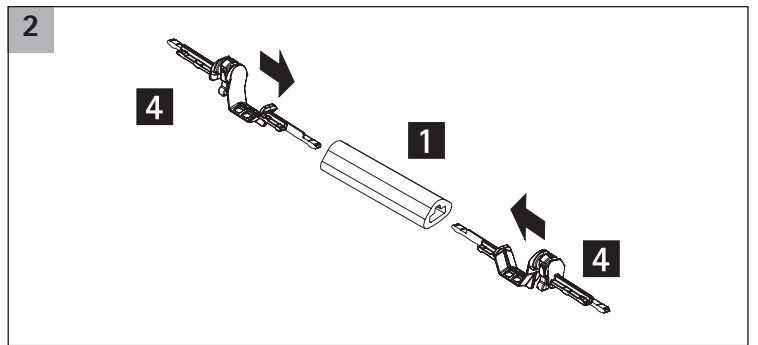
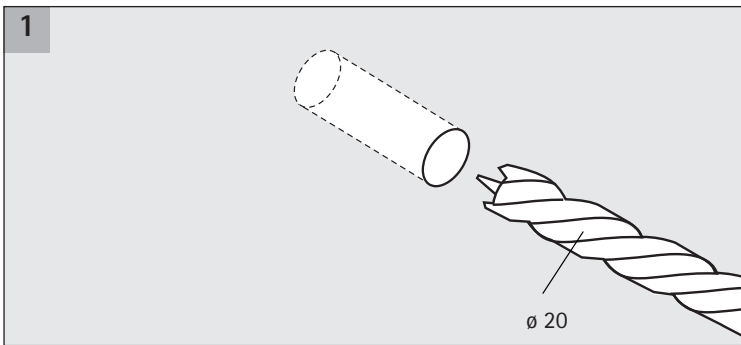
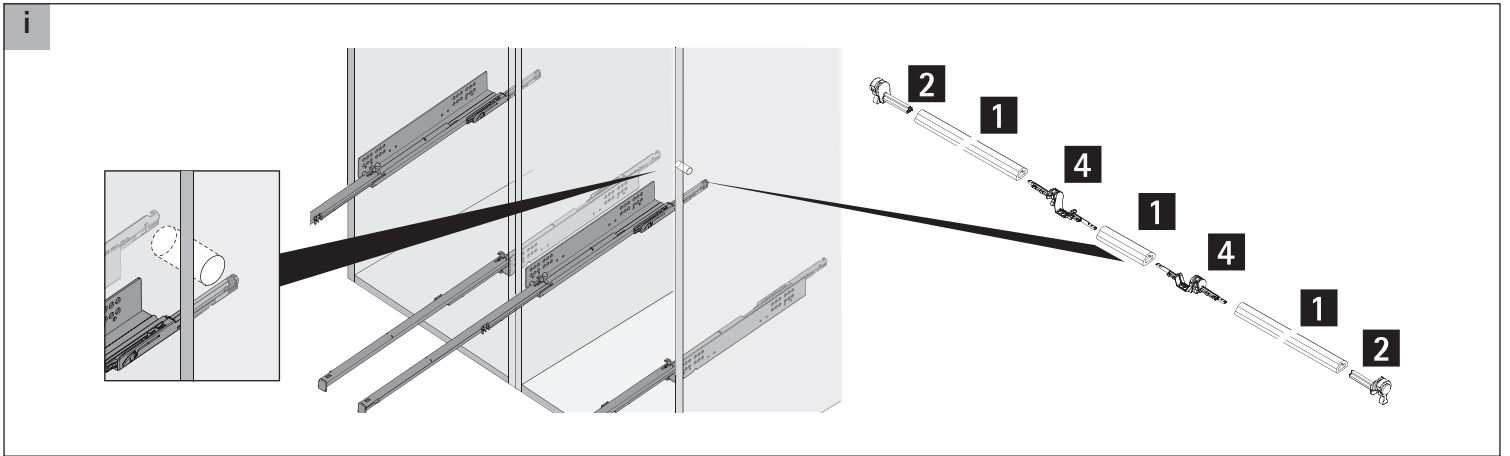
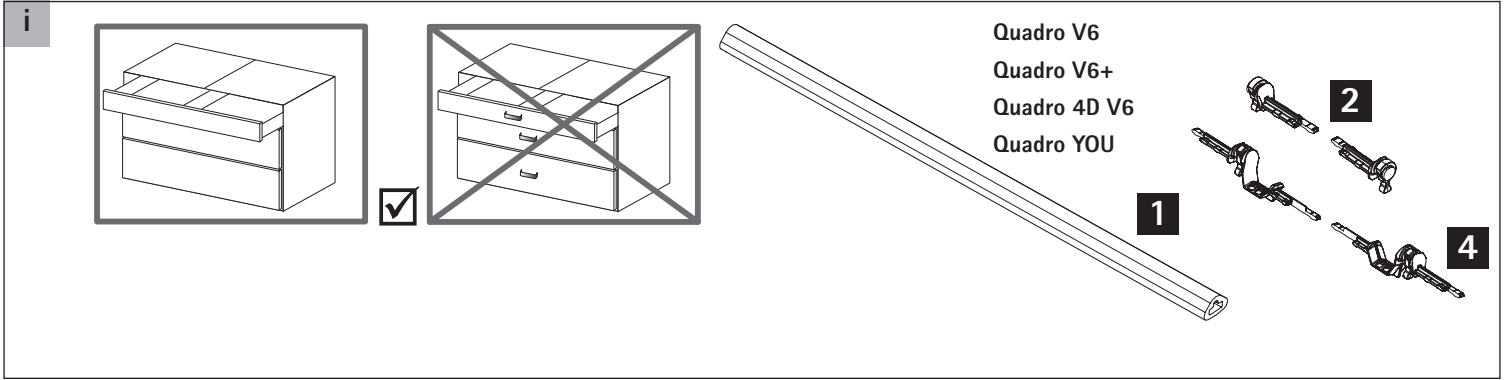
**2**

**2**

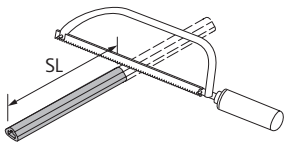
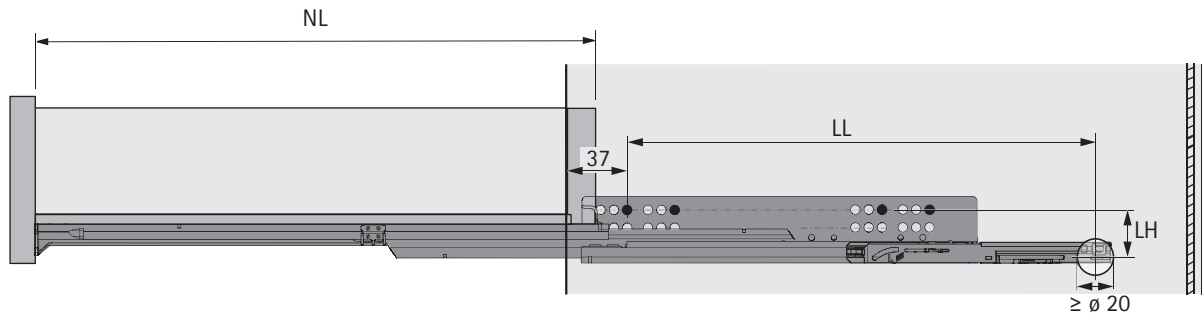
Quadro V6  
 Quadro V6+  
 Quadro 4D V6  
 Quadro YOU

Quadro 25

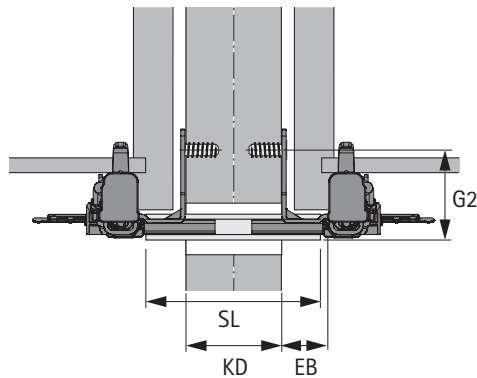
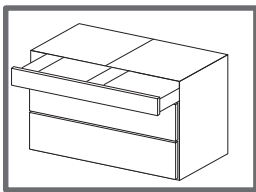
# Push to open Multisynchronisation



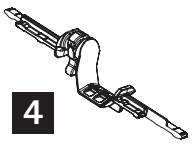
i



$$SL = KD + 2 \times EB - 6$$



4



Quadro V6														
NL mm	250	300	320	350	380	400	420	450	480	500	520	550	580	600
LL mm	209	257	257	302	341	341	371	371	395	395	437	437	443	443

Quadro V6+														
NL mm				350	380	400	420	450	480	500	520	550	580	600
LL mm				309	339	352	352	384	384	384	448	448	512	512

Quadro 4D V6														
NL mm	250	300	320	350	380	400	420	450	480	500	520	550	580	600
LL mm	209	257	257	302	341	341	371	371	437	437	437	437	443	443

Quadro YOU														
NL mm	250	270	300	320	350	380	400	420	450	480	500	520	550	600
LL mm	204	204	204	247	247	322	340	346	369	369	394	394	430	437

	LH mm		G2 mm
Quadro V6	33	Quadro V6	40
Quadro V6+	33	Quadro V6+	46
Quadro 4D V6	38	Quadro 4D V6	40
Quadro YOU	33	Quadro YOU	40

