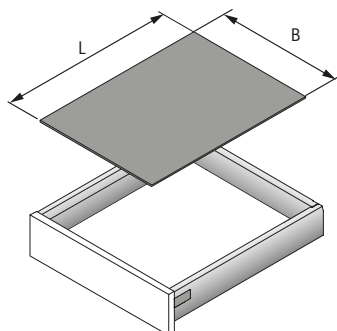
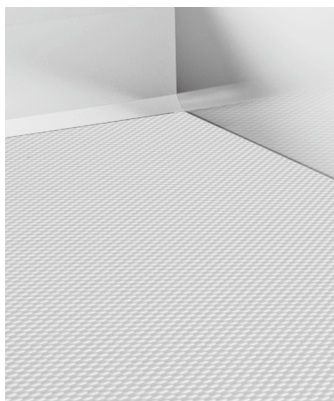


- ▶ Interior organisation
- ▶ Powder coated steel, white

Anti-slip mat



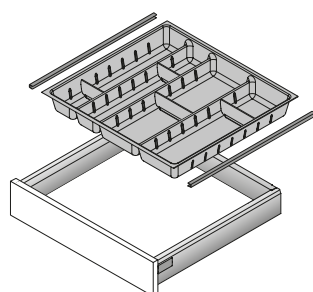
- ▶ For inserting into the drawer or pot-and-pan drawer
- ▶ 5 m roll
- ▶ Plastic, white

Advice:

- ▶ Trimmed width (B) = inside carcass width - 2 x EB - 62
- ▶ Cut length (L) = nominal length - 27

Nominal length mm	Order no.	PU
450	9 209 569	1 ea.
500	9 209 573	1 ea.
650	9 209 575	1 ea.

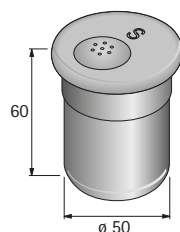
Edge profile



- ▶ For fitting to side, width of interior organisation must be reduced by 4 mm
- ▶ Can be shortened as required
- ▶ Plastic, chrome look

Nominal length mm	Order no.	PU
500	9 135 408	1 set

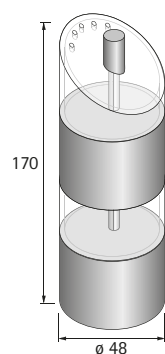
Spice containers



- ▶ Stainless steel

Article	Order no.	PU
1 Salt cellar	0 080 852	1 ea.
2 Pepper pot	0 080 853	1 ea.
3 Duster	0 080 854	1 ea.
4 Coarse duster	0 080 855	1 ea.
5 Fine duster	0 080 856	1 ea.
6 With acrylic lid	0 080 857	1 ea.

Spice shaker



- ▶ Stainless steel / acrylic

Order no.	PU
9 079 347	1 ea.